



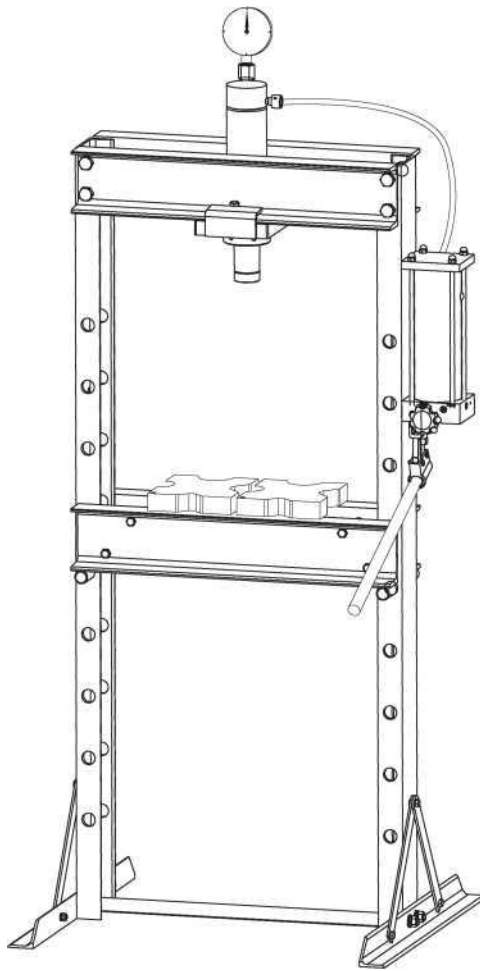
Jema Autolifte A/S
we are here to surprise!



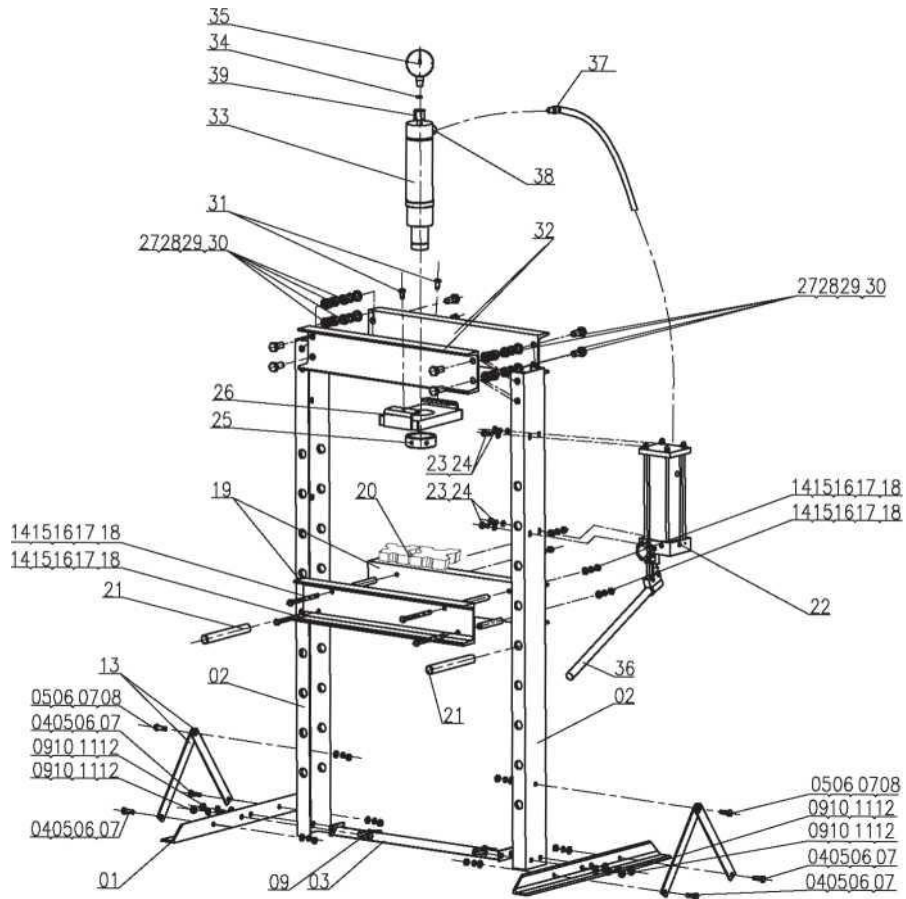
Instruction manual

20T Hydraulic shop press

Please read these instructions carefully to ensure the safety and effective use of this tool.



The small change causes which as a result of the model change does not give showing.

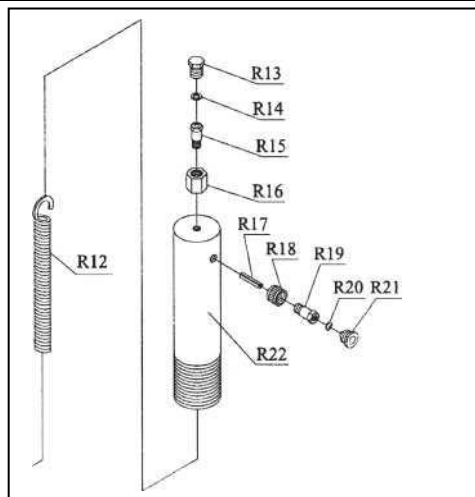
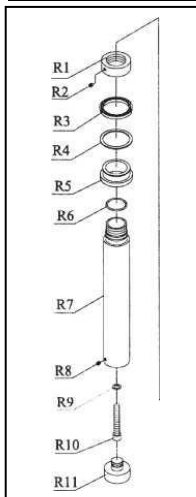


SHOP PRESS PARTS LIST (figure a)

Part	Description	QTY	Part	Description	QTY	Part	Description	QTY
01	base angle iron	2	14	nuts bolt M10x130	4	27	nuts bolt M16x35	8
02	post	2	15	washer 10	4	28	washer 16	8
03	link compoents	1	16	spring washer 10	4	29	spring washer 16	8
04	nuts bolt M10x25	4	17	nuts M10	4	30	nutsM16	8
05	washer 10	6	18	stay bar	4	31	nuts bolt M8x16	2
06	spring washer 10	6	19	press bed frame	2	32	upper crossbeam	2
07	nutsM10	6	20	bell block	2	33	press cylinder	1
08	nuts bolt M 10x30	2	21	support pins	2	34	nylon ring	1
09	nuts bolt M12x35	4	22	hydraulic pressure pump	1	35	pressure gauge	1
10	washer 12	4	23	nuts boltM10x20	4	36	handle	1
11	spring washer 12	4	24	spring washer 10	4	37	hose fitting	1
12	nuts M12	4	25	under round nut	1	38	connection nut	1
13	kingthead	4	26	jack fired seat	1	39	gauge connection nut	1

RAM PARTS LIST (figure b)

Part	Description	Q, ty	Part	Description	Q, ty
R1	Nut	1	R12	Spring	1
R2	Screw M6x6	1	R13	Screw	1
R3	Sealing Ring	1	R14	Nylon Ring	1
R4	Ring	1	R15	Gauge Coupler	1
R5	Bushing	1	R16	Gauge Connection Nut	1
R6	O-ring	1	R17	Pin	1
R7	Ram	1	R18	Connection Nut	1
R8	Screw M6x10	1	R19	Coupler	1
R9	Sealing Washer	1	R20	O-ring	1
R10	Bolt M10	1	R21	Dust Cap	1
R11	Toe	1	R22	Cylinder	1



ASSEMBLY INSTRUCTIONS

Use the exploded drawing as your guide to assemble. Lay all parts and assemblies out in front of you before beginning.

The following procedure is recommended:

Attach one base section (01) to left post and lower cross member (03) using bolts (09), washers (10), lock washers (11) and nuts (12), then attach another to right post and the lower cross member.

Fix one end of knighthead (13) to the base angle iron (01) and another end to the post (02) using bolts (09), washers (10), lock washers (11) and nuts (12).

Put the press frame in an upright position, attach one upper cross beam (32) to left and right posts (02) using bolts(27), washers (30), lock washers (29) and nuts (28).

Put another upper crossbeam into position and insert the under plate(26) to the two upper cross beams at the same time, then secure this cross beam to the posts using bolts (27), washers (30), lock washers (29) and nuts (28).

Screw the upper round nut onto the ram (33), insert the ram into the hole in the under plate (26), then screw the under round nut (25) onto the ram and attach the serrated saddle to the ram.

Join the two press bed frame (19) together by inserting the four bolts (14) through the bushings (15) and the holes in the bed frames, then secure the four bolts by tighten the washer (16), lock washer (17) and nut (18) on it.

ASSEMBLY (continued)

- Insert bed frame pin (21) into the holes in the posts, then insert the joined press bed frame (19) into press frame and onto bed frame pin.
- Attach the pump assy (22) to the right post using bolts (09), lock washers (11), then insert the handle to the handle bracket.
- Connect the hydraulic hose fitting (37) to the connection nut (38) and assemble the pressure gauge (35) to the pressure gauge connection nut (39) which is on the top of ram (33).
- Tighten all bolts and screws.

BEFORE FIRST USE

- a) Before first use of this product, purge away air from the hydraulic system: open the release valve by turning it counterclockwise. Pump several full strokes to eliminate any air in the system.
- b) Check all parts and conditions, if there is any part broken, stop using it and contact your supplier immediately.

OPERATING INSTRUCTIONS

WARNING! ENSURE THAT YOU READ, UNDERSTAND AND APPLY THE SAFETY INSTRUCTIONS AND WARNINGS BEFORE USE.

- Place the heel block on press bed frame, then insert workpiece onto the heel block.
- Close the release valve by turning it clockwise until it is firmly closed.
- Pump the handle until serrated saddle nears workpiece.
- Align workpiece and ram to ensure center-loading.
- Pump the handle to apply load onto workpiece.
- When work is done, stop pumping the handle, slowly and carefully remove load from workpiece by turning the release valve counterclockwise in small increments.
- Once ram has fully retracted, remove workpiece from bed frame.

MAINTENANCE

- Clean the outside of the press with dry, clean and soft cloth and periodically lubricate the joints and all moving parts with a light oil as needed.
- When not in use, store the press in a dry location with ram and piston fully retracted.
- When press efficiency drops, purge always air from hydraulic system as described before.
- Check the hydraulic oil; remove the oil filler nut on the top of the reservoir, if the oil is not adequate, fill with high quality hydraulic jack oil as necessary, then replace the oil filler nut, purge away air from the hydraulic system.

PLEASE READ THESE INSTRUCTIONS CAREFULLY. NOTE THE SAFETY INSTRUCTIONS AND WARNINGS. USE THE PRODUCT CORRECTLY AND WITH CARE FOR THE PURPOSE OF WHICH IT IS INTENDED. FAILURE TO DO SO MAY CAUSE DAMAGE TO PROPERTY AND/OR SERIOUS PERSONAL INJURY.

PLEASE KEEP THIS INSTRUCTION MANUAL SAFE FOR FUTURE USE.

We've done all we can to assure this press offers the outmost in safety, but you have to do your part. No amount of warning can take the place of your good judgment, so make sure it's the first thing you bring to any job.

Beyond that here are some obvious tips:

- Steel and others materials can shatter, so always use protective eye-wear that complies with the appropriate ANSI code.
- If you detect anything that may indicate imminent structural failure, stop using the press immediately and inspect it thoroughly.
- Bolt the press to the floor if it is to be used on bulky or unstable items.
- Do not use press to compress springs or any other item that could disengage and cause a potential hazard.
- Use a qualified person to maintain the press in good condition. Keep it clean for best and safest performance.
- Do not exceed the rated capacity. Never apply excessive force to a workpiece and always use the pressure gauge to accurately determine the applied load.
- Use this press for the purpose for which it is intended. DO NOT use it for any other purpose it is not designed to perform.
- Keep children and unauthorized persons away from the work area.
- Remove ill fitting clothing. Remove ties, watches, rings and other loose jewelry and contain long hair.
- Wear ANSI approved impact safety goggles, full-face impact safety shield and heavy-duty work gloves when operating the press.
- Keep proper balance and footing, do not over-reach and wear nonskid footwear.
- Only use this press on a surface that is stable, level, dry and not slippery, and capable of sustaining the load. Keep the surface clean, tidy and free from unrelated materials and ensure that there is adequate lighting.
- Inspect the press before each use. DO NOT use if bent, broken, cracked, leaking or otherwise damaged. Any suspect parts are noted or it has been subjected to a shock load.
- Check to ensure that all applicable bolts and nuts are firmly tightened.
- Ensure that workpiece is center-loaded and secure.
- Keep hands and feet away from bed area at all times.

- DO NOT use the shop press to compress spring or any other item that could disengage and cause a potential hazard. Never stand directly in front of loaded press and never leave loaded press unattended.
- DO NOT operate the press when you are tired or under the influence of alcohol, drugs or any intoxicating medication.
- DO NOT allow untrained persons to operate the press.
- DO NOT make any modifications to the press.
- DO NOT use brake fluid or any other improper fluid and avoid mixing different types of oil when adding hydraulic oil. Only good quality hydraulic jack oil can be used.
- DO NOT expose the press to rain or any other kind of bad weather.
- If the press needs repairing and/or there are any parts that need to be replaced, have it repaired by authorized technicians and only use the replacement parts supplied by the manufacturer.

WARNING! The warnings, cautions and instructions discussed in this manual cannot cover all conditions and situations that may occur. It must be understood by the operator that common sense and caution are factors which cannot be built into this product, but must be supplied by the operator.